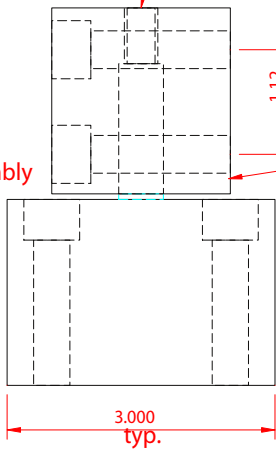
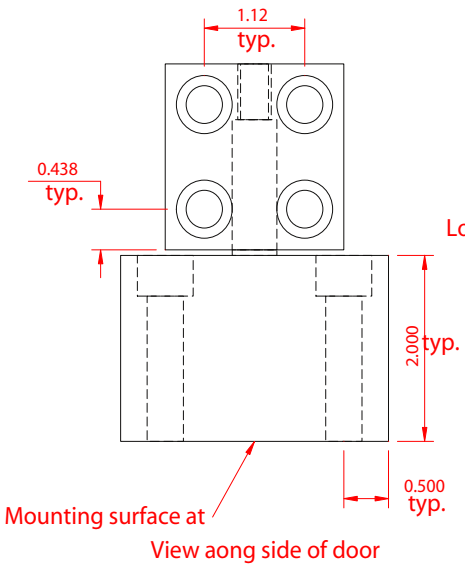
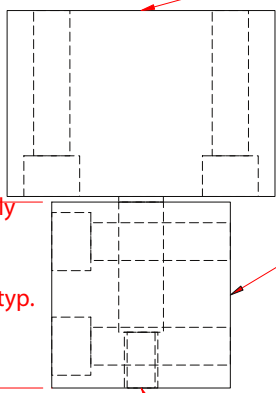
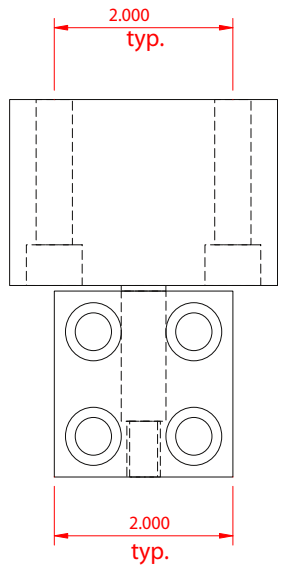


RevNo	Revision note	Date	Signature	Checked



Mounting surface at head or

Mounting surface a top of

Set screw for adjustin height of door (maximum gap at either

Mounting surface at bottom

Mounting surface at
View aong side of door

View along fron of door

Drawing Notes:

Tolerances
Decimal +/- 0.005
Fractional +/- xxx
Angular +/- xxx

	CPH-500 Customer Detail		Drawn by cms-k	
	CPH 500 Customer Detail layout		Checked by	
	Approved by - date	Filename	Date	Scale
		CPH-500-STD	04/02/03	1:1
brookfield industries inc. 99 West Hillside Ave. : Thomaston, CT 06787 P: (860) 283-6211 F: (860) 283-6123			Material	
			CPH-500-STD1	